



LEISTER Ghibli

Hot-Air Blower



Please read operating instructions carefully before use and keep for further reference.

APPLICATION

- **Welding** of thermoplastic materials as well as single-ply flexible plastics and modified bitumen in form of boards, tubes, profiles, lining membranes, coated materials, films, foams, tiles and sheets. The following procedures are possible: overlap welding, welding with rod or tape and fusion welding by heat
- **Drying** of water-damp surfaces
- **Shrinking** of heat-shrink sleeves, films, tapes, solder sleeves and moulded parts
- **Heating-up** for forming, bending and sealing of thermoplastic semi-finished materials
- **Defrosting** of frozen water pipes
- **Activating/dissolving** of solvent free adhesives and fusion adhesives
- **Sterilizing** of laboratory and glass equipment and medical instruments
- **Soldering** of copper pipes, solder joints and metal foils
- **Igniting** of wood shavings, paper, coal or straw in furnaces
- **De-horning** of calves





WARNING



Danger to life when opening the tool as live components and connections are exposed. Unplug the tool before opening it.



Incorrect use of hot-air blowers can cause **fire and explosion hazard**, especially near combustible materials and explosive gases.



Do not touch heater tube and nozzle when they are hot. They may cause **burns**. Let the tool cool down. Do not point hot-air flow in the direction of people or animals.



CAUTION



The **voltage rating** stated on the tool must correspond to the line/mains voltage.

EN 61000-3-11; $Z_{max} = 0.075 \Omega + j 0.047 \Omega$. If necessary, consultate supply authority.



For personal protection on building sites, we **strongly recommend** the tool to be connected to a **GFCI** (Ground Fault Circuit Interrupter) or a **RCCB** (Residual Current Circuit Breaker) .



The tool must be operated **with supervision**. Heat can reach combustible materials, which are out of sight. Store the tool indoors when not in use - out of the reach of children.



Protect tool from **damp** and **wet**.

APPROVAL MARKS



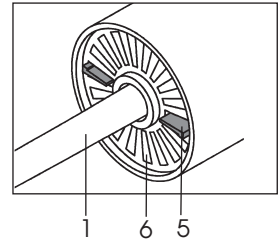
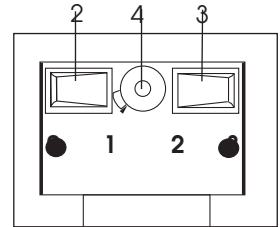
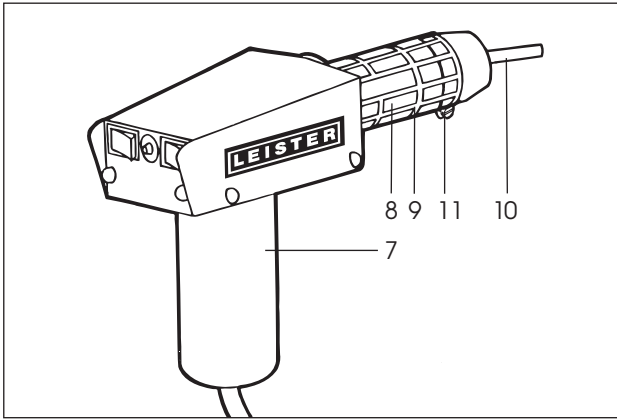
This tool is **CCA** certified (CENELEC Certification Agreement).

TECHNICAL DATA

Electrical safety: **DOUBLE INSULATED**

Voltage	V~	100, 120, 200, 230, for 50/60 Hz	Line/mains voltage cannot be switched over
Power consumption	W	1500, 1500, 1500, 2000	
Temperature	°C	20 – 600, infinitely controlled	
Air flow	l/min.	switch position 2: max. 300	switch position 3: max. 350
Air pressure	mbar	15	21
Emission level	L _{pA} (dB)	62	67
Weight	kg	1.2 with 3m cable	
Size	mm	160 × 195 × 92	

Description of the tool



- | | |
|---|------------------------------------|
| 1. Power supply cord | 6. Air filter |
| 2. Main switch | 7. Handle |
| 3. Two-step switch for air flow | 8. Heater tube |
| 4. Potentiometer for temperature adjustment | 9. Protection grid |
| 5. Air slide | 10. Nozzle (not included/optional) |
| | 11. Clamp with screw of nozzle |

Operating condition

- Push-fit appropriate **nozzle (10)** as required.
- Connect tool to the line/mains.
- Reduce air flow as required by use of the **two-step switch (3)** or the **air slide (5)**.
- Adjust hot-air temperature by use of the **potentiometer (4)**.
- Switch on **main switch (2)** and heat up the tool for approximately 5 min.

Operation

- LEISTER Process Technologies as well as the Service Centres offer free training courses for all applications (see page 1).
- Cool down the tool after use.

Change of nozzles

- Before changing nozzles, cool down the tool or use pliers/wrench only.
- Do not touch hot **nozzle (10)** and make sure to put it only on a heat resistant surface, because of **fire hazard**.
- The nozzles are easily pushed onto the conical **heater tube (8)** and are then secured by fastening the **screw of the clamp (11)**.
- Use LEISTER nozzles only.

ACCESSORIES

- Use LEISTER accessories only.

MAINTENANCE

- The tool's **air filter (6)** should be cleaned with a brush if necessary.
- Use a wire brush to clean the **nozzle (10)**.
- Check **power supply cord (1)** and plug for any possible electrical or mechanical damages.

SERVICE AND REPAIRS

- The carbon brushes of the tool's motor should be checked after about 1200 hours running time by your Service Centre.
- Repairs have to be carried out by authorised **LEISTER Service Centres** only. They guarantee a specialized and reliable **repair service within 24 hours** using original LEISTER spare parts.

GUARANTEE AND LIABILITY

- Guarantee and liability are in accordance with the guarantee certificate as well as with the currently valid general business and sales conditions.
- LEISTER Process Technologies rejects any guarantee claims for tools which are not in their original condition. The tools must never be altered or changed.

Technical data and specifications are subject to change without prior notice.

Your authorised Service Centre is: